

FIG. 2

FIG. 1,8: Perspective views, open, closed

FIG. 2,3: Side elevational views

FIG. 4,5: Top/bottom plan views

FIG. 6,7: Front and rear elevational views

*Some drawings reduced in size, type may be smaller than on the original drawings filed with the USPTO*

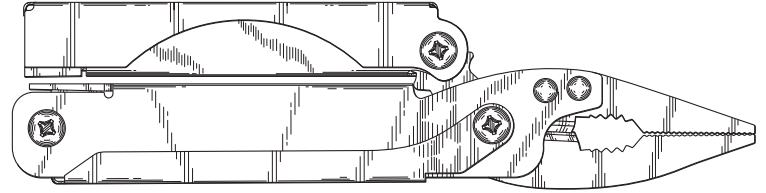


FIG. 3

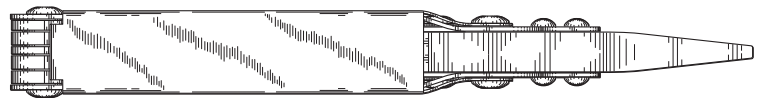


FIG. 4

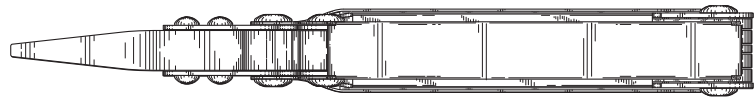


FIG. 5

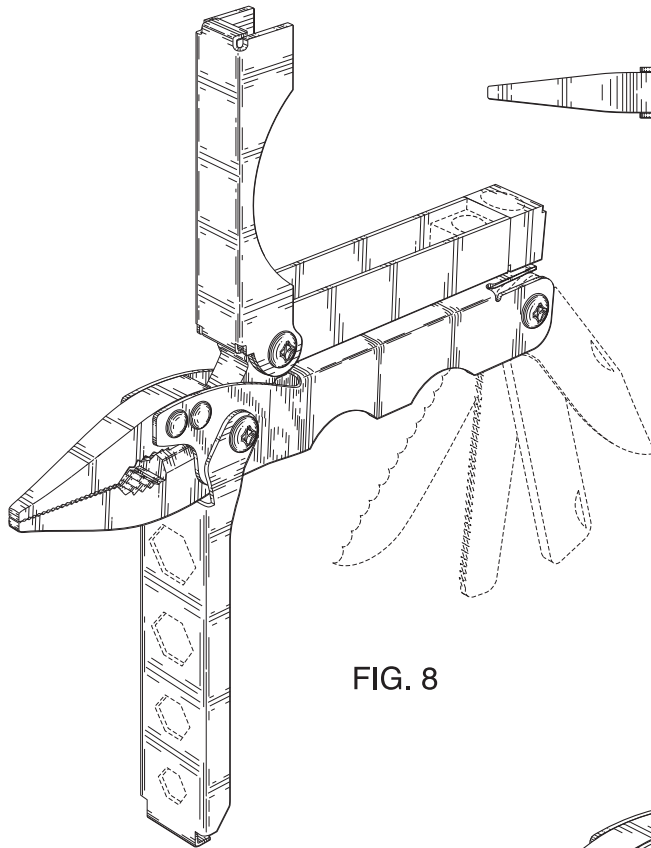


FIG. 8

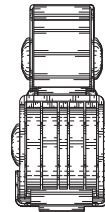


FIG. 6

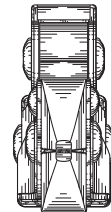


FIG. 7

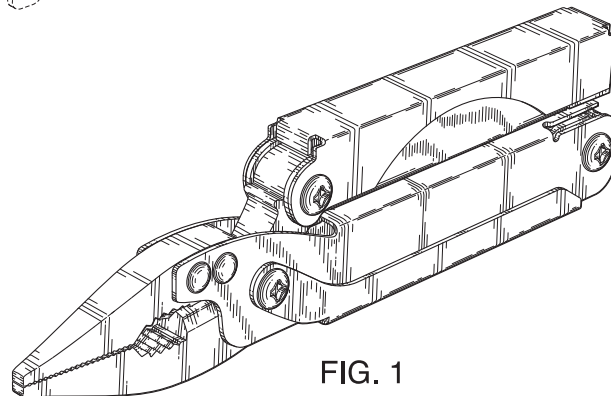


FIG. 1